

PO5X series

ALL-IN-ONE PC POS



UNIQUE FUNCTIONS

- Apply professional Fanless industrial-control main board and low-power intel CPU in the host, run more stably and reliably.
- Adopt 10" bezel free capacitive touch screen, with elegant appearance and provides superb user experience. No need to press hard, ensuring long usage lifetime.
- Optional 10" colorful customer display, used for multimedia advertisement playing, in-store promotion and information publish etc.. Type of double screen will bring more value-added service and advertisement revenue.
- Optional thermal printer 2" without cutter, or 3" with cutter. Up to 150mm/s high print speed. Adopt unique slanting piercing paper sensor patent is with mechanism to replace paper-cutter easily without opening the printer cover, and with flexible black mark position function.
- With M1 prepaid management of the highest safety class, provide users with ISO14443A M1 card offline issuing mechanism of high safety class and chain management, instead of the online mode with high costs.
- Optional 45° downwards laser barcode scanner(eye protection) with patented magnetic sucker, able to take it down quickly to scan large commodities.
- Flexible module design concept, (un)install magcard reader, i-Button, scanner, WiFi, customer display and other module easily, satisfy different customers.

EXCELLENT FUNCTIONS

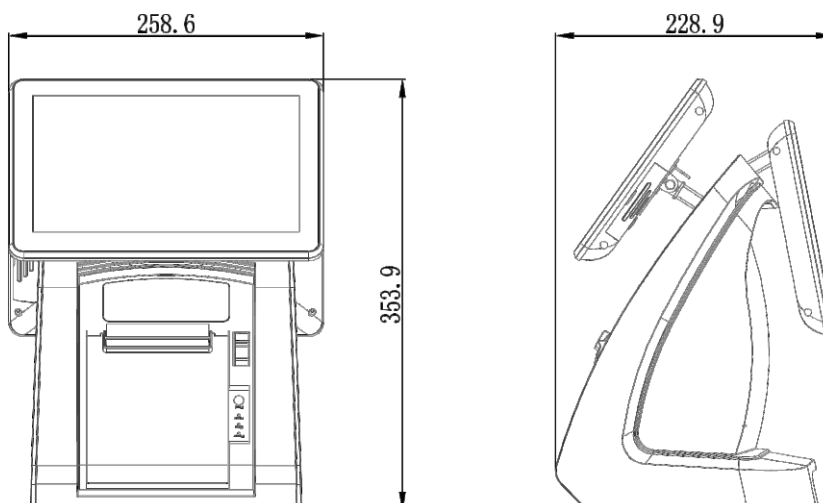
- Optional commercial front software for retails, convenience stores, restaurants, supermarkets, food plazas, boutique and so on, to access data of head office directly, establish chain network, and support online update.
- Optional 2*20 VFD or 24*128 full dot-matrix VFD customer display, able to display detailed consumption contents with adjustable angle ($\pm 180^\circ$).
- Operator display could be adjusted $30^\circ \sim 75^\circ$ by cashiers.

SPECIFICATION

Model		PO5X 3735F
Architecture	Mainboard	low-power Atom industrial-control mainboard
	Processor	Intel Atom Z3735F
	RAM	2GB
	Storage	32GB
	Power supply	12V 5A
I/O Port	USB2.0	3
	Serial Port	2
	Cash drawer port	1
	Ethernet port	1
Options	RFID	mifare reader module
	i-Button	information button
	MSR	1-2-3tracks magnetic reader
	Scanner	20 line grid scanner
	Smartcard	Contact IC card reader
Display	Operator display	10"(1024*768)
	Touch Panel	Capactive
	Customer display	2*20 double linesVFD/24*128 dot matrix VFD/9 digital LED 10" colorful customer display
Printer	Printer	3" with cutter:80mm*080mm
		2" without cutter:57mm*080mm
	Printing speed	150mm/s
Operating system		Win10;Android 4.4
Dimensions		258.6mm(L)*228.9mm(W)*353.9mm(H)
Weight		4.5kg(not including customer display)

DIMENSION

unit:mm



PINNACLE TECHNOLOGY CORPORATION

Tel:+86-592-5710087 Fax:+86-592-5710029 Http://www.aclas.tw Email:osa@aclas.com